






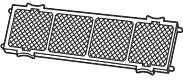


DECORATION PANEL BC50P-WF INSTALLATION MANUAL

The two-dimensional bar code is a manufacturing code.

- Before starting installation work, read this manual for correct installation.
- For installation work, be sure to turn off the power.
- Explain the method of operation to the user using the operation manual.

Accessories

Check that the following parts are included:

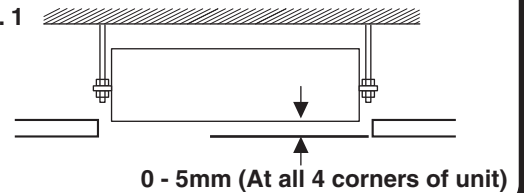
(A) Decoration panel  1	(B) Control panel  1	Fixing screws			
		(C) M5×35L  4	(D) M4×12L  1	(E) M4×16L (black)  2	
(F) Titanium apatite photocatalytic air-purifying filter  2	(G) Binding band  1	(H) Installation manual  1			

Check Before Installation

Before installing the (A) decoration panel, check the following items referring to the installation manual supplied with the indoor unit.

- Does the lower face of the indoor unit match the height of the lower face of ceiling? (See Fig. 1)
- Is the indoor unit installed in parallel with the opening hole in the ceiling?
- Is refrigerant piping, insulation of drain pipes, and inter-unit wiring complete?

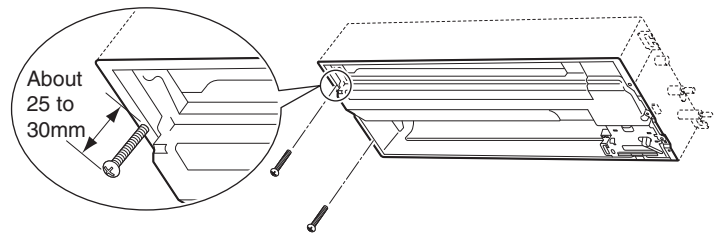
Fig. 1



Decoration Panel Installation (1)

1. Preparing the indoor unit

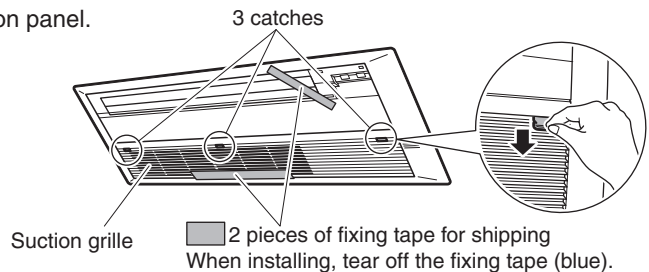
- Temporarily tighten the 2 (C) fixing screws (M5×35L) to the indoor unit, leaving about 25 to 30mm as shown in the figure.



2. Preparing the decoration panel

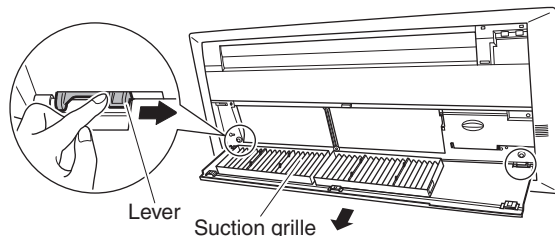
- Remove the suction grille from the unpacked (A) decoration panel.

- 1) Remove the 3 catches to open the suction grille.



- 2) Slide the right and left levers inward.

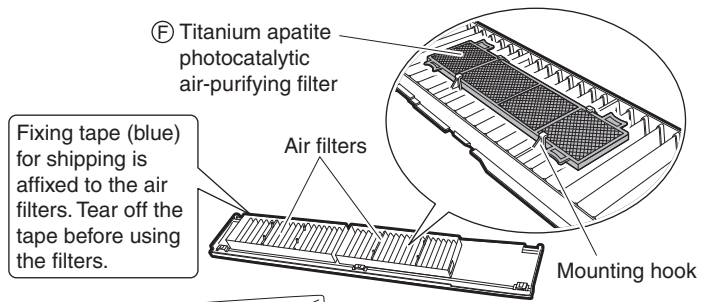
- 3) Pull the suction grille in the ↓ direction to remove it.



Decoration Panel Installation (2)

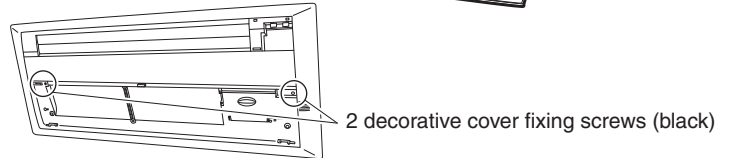
- 4) Attach the ⑥ titanium apatite photocatalytic air-purifying filters to the 4 mounting hooks on the back side of the air filters.

* For details, refer to the indoor unit operation manual.



- 5) Remove the decorative cover fixing screws. (2 locations)

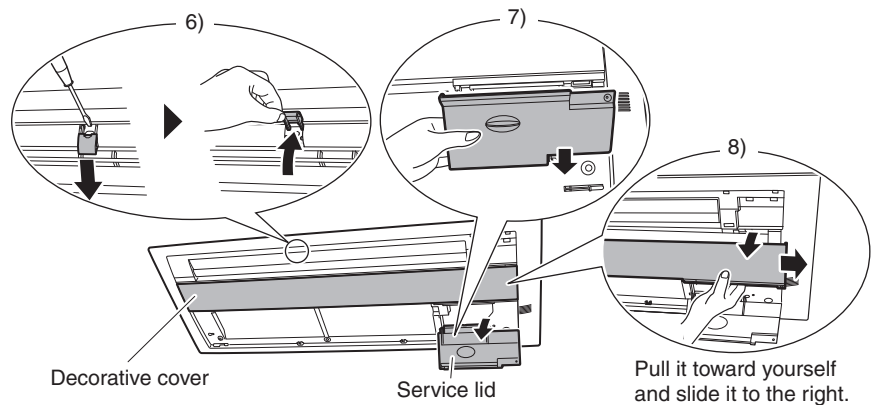
Be careful not to mix up the removed decorative cover fixing screws with the supplied fixing screws.



- 6) Open the screw cover.

- 7) Open the service lid.

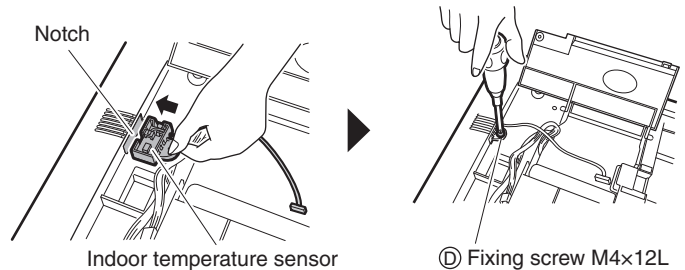
- 8) Remove the decorative cover.



3. Attaching the indoor temperature sensor and the receiver unit

- 1) Attach the indoor temperature sensor.

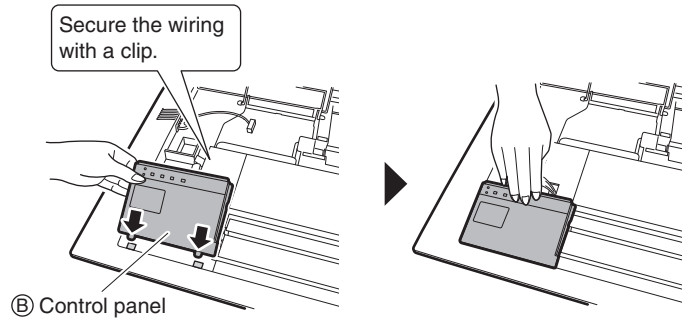
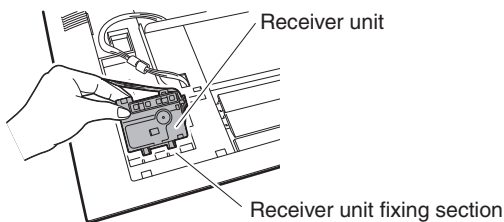
Insert the sensor into the notch in ① decoration panel and secure it with ④ fixing screw (M4×12L). (1 location)



- 2) Attach the receiver unit.

2)-1 Attach the unit to the receiver unit fixing section of ① decoration panel. (3 hooks)

2)-2 Attach the ② control panel. (4 hooks)

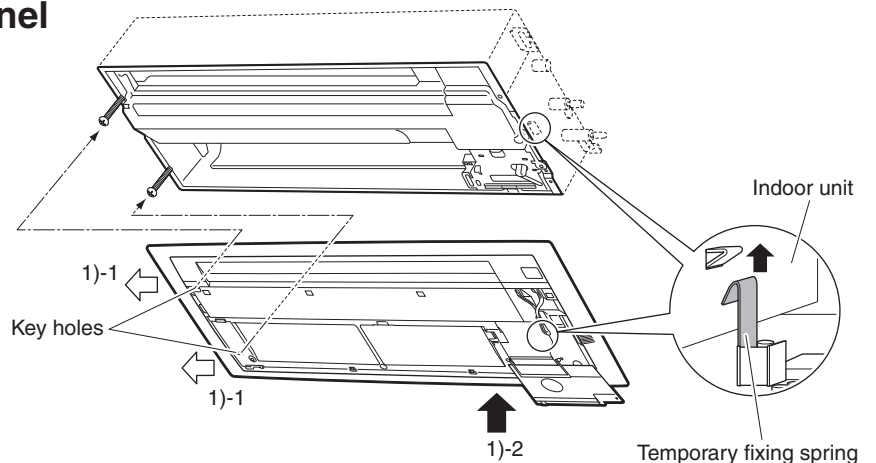


4. Installing the decoration panel

- 1) Temporarily attach the ① decoration panel.

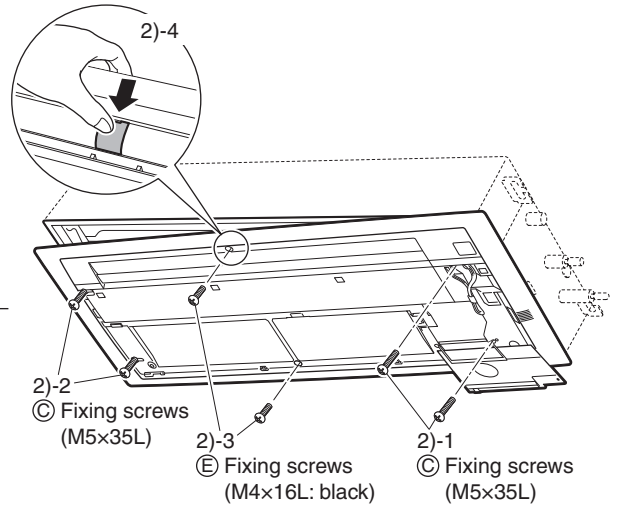
1)-1 Insert the 2 ③ fixing screws (M5×35L) that were attached in "1. Preparing the indoor unit" into the key holes in ① decoration panel and slide the ① decoration panel in the ← direction.

1)-2 Raise the service lid side of ① decoration panel and hook it on the unit with the temporary fixing spring.



Decoration Panel Installation (3)

- 2) Tighten the fixing screws.
 - 2)-1 Tighten the 2 ③ fixing screws (M5×35L) on the side with the temporary fixing spring.
 - 2)-2 Tighten the 2 ③ fixing screws (M5×35L) that were inserted into the key holes.
 - 2)-3 Tighten the 2 ④ fixing screws (M4×16L: black) at the centre of the ① decoration panel.
 - 2)-4 Close the screw cover.

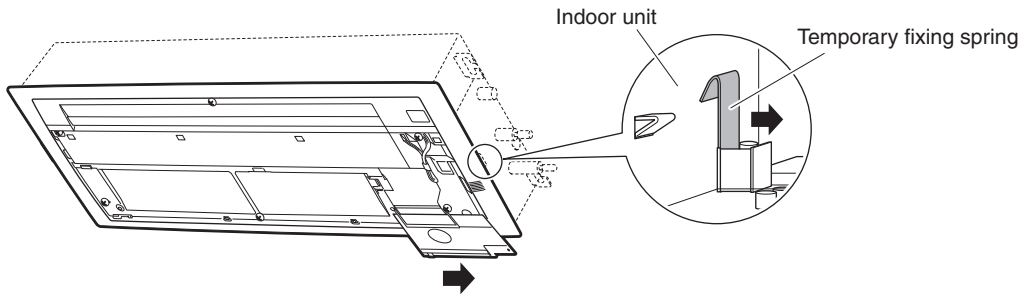


⚠ CAUTION

- Be careful that the wiring does not get caught.
 - Ensure that there is no clearance between the indoor unit and the ① decoration panel and between the ① decoration panel and the ceiling surface.
- If there is any clearance, airflow leakage will occur resulting in dew condensation or water dripping. Adjust the height of the indoor unit.

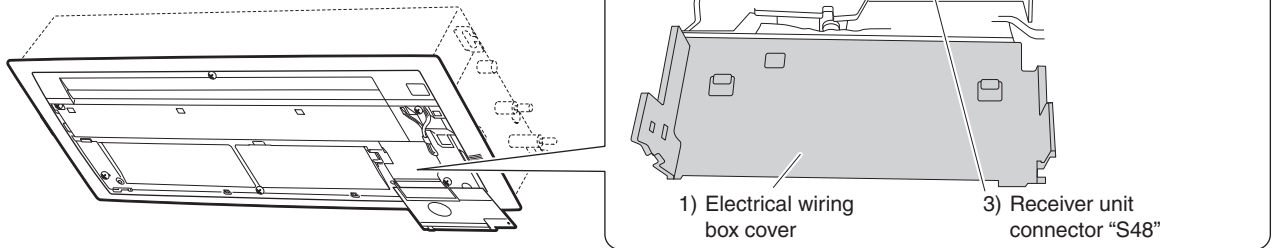
To remove the decoration panel

Slide the ① decoration panel in the ➡ direction to remove it.



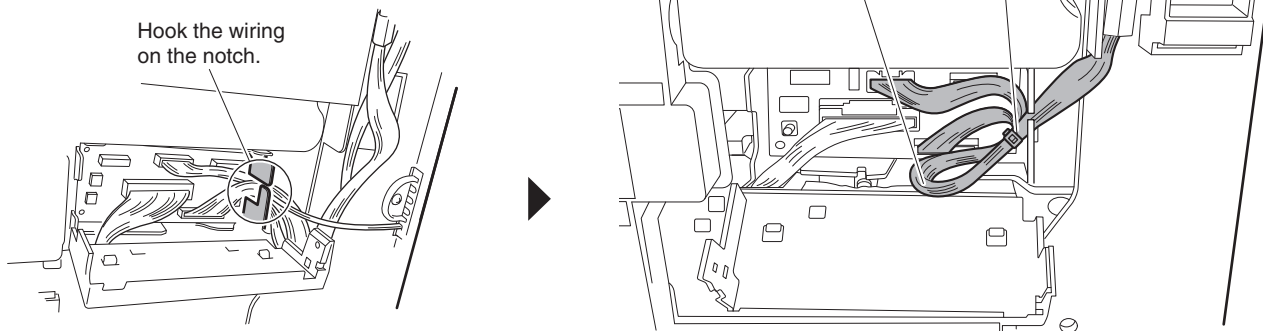
5. Wiring

- 1) Open the electrical wiring box cover.
- 2) Attach the indoor temperature sensor connector to "S41".
- 3) Attach the receiver unit connector to "S48".
- 4) Attach the swing control connector to "S45".



- 5) Route the wiring.
 - 5)-1 Hook the wiring on the notch and bind any excess wiring with the ⑤ binding band.
 - 5)-2 Put the bound wiring into the electrical wiring box and close the electrical wiring box cover.

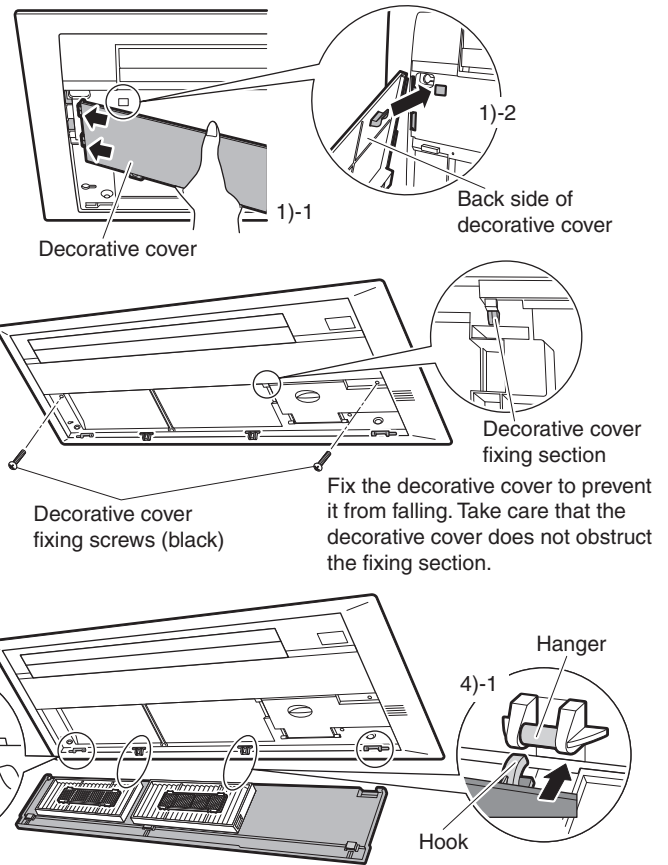
Arrange the wiring so that the electrical wiring box cover can be closed and does not rise up.



Decoration Panel Installation (4)

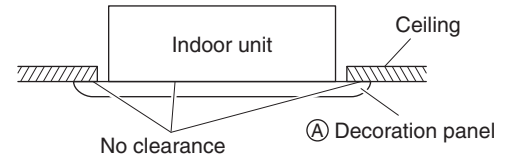
6. Finishing

- 1) Attach the decorative cover.
 - 1)-1 Insert the 2 hooks on the left side of the decorative cover into the holes in (A) decoration panel.
 - 1)-2 Insert the 4 hooks on the back side of decorative cover into the holes of (A) decoration panel. Ensure that the hooks are properly in place.
- 2) Close the service lid.
- 3) Attach the decorative cover fixing screws. (2 black screws)
 - Tighten the decorative cover fixing screws to fix the service lid and the decorative cover together.
 - Do not use the supplied screws. The length is different.
- 4) Attach the suction grille.
 - 4)-1 Snap the 2 hooks at the centre of the suction grille into the 2 hangers at the centre of (A) decoration panel.
 - 4)-2 Slide the 2 levers on the left- and right-hand sides of the (A) decoration panel outward, and attach the suction grille to the (A) decoration panel.



Check After Installation

- Are there no clearances between the (A) decoration panel and the indoor unit or between the (A) decoration panel and the ceiling surface?
- Is the wiring connector securely connected?
- Is the air filter attached?



Trial Operation and Testing

1. Trial operation and testing

Follow the installation manual supplied with the indoor unit.

2. Test items

Test items	Symptom	Check
Remote controller transmission/reception is functioning correctly.	No operation	
The address switch is set correctly.	No operation	
Up/down and right/left swing can be operated with the remote controller.	Inoperative swing	
There are no clearances between the (A) decoration panel and the indoor unit or between the (A) decoration panel and the ceiling surface.	Water leakage	

- Have the user actually operate the unit while referring to the manual supplied with the indoor unit. Instruct the user on how to operate the unit correctly (particularly cleaning the air filters and the suction grille, attaching the (F) titanium apatite photocatalytic air-purifying filters, operation procedures, and temperature adjustment).
- Carry out temperature adjustment for the proper temperature (normally 26 to 28°C for cooling and 20 to 24°C for heating).
- The air conditioner consumes some power even when not in operation. After installation, if the user will not be using the conditioner for a while, turn off the circuit breaker to avoid unnecessary power consumption.